

## ORION-PTV

- Removable front panel
- Suitable for a range of ceiling systems
- Data provided with Luna plenum box installed
- Box lined with sound absorber in polyester

## APPLICATION



### ORION-PTV

Orion-PTV is a square supply diff user for installation in modular ceiling systems. Orion-PTV is a high-capacity system with excellent induction, and is ideal for high air flow rates.

#### Design

Orion-PTV features a removable front panel with perforated front and sides. The unit is equipped with a TA flange suitable for T-profile ceiling systems, but is also available with alternative flange designs, type: DC, DG, DS and EK (see fig. 2 and order code). The diffuser front can be supplied with integrated motion sensor. Product sheet for motion sensor can be found on our website: [www.trox.no](http://www.trox.no)

### ORION-PTV WITH LUNA PLENUM BOX

The Luna plenum box is recommended for improved sound attenuation, and works as an adjustment and measurement unit. Luna is a rectangular box fitted with a removable damper which provides access to the connecting duct. The damper can be secured in any position required.

#### Design

Luna plenum box features a damper and measuring outlet for commissioning, is lined with a sound absorber in polyester and is available with one or two dimensional changes between inlet and outlet. Furthermore, the box can be delivered with external condensation insulation. A low-profile design [UI] is also available, and for this type a reduction in capacity of approx. 20% will apply. The distance between valve and box can be increased by up to 35 cm without extending the wire and measuring tube.

## DESCRIPTION



### ORION-PTV

#### Materials and surfaces

The front panel, ceiling plate and valve body are in a steel design, and the connection collar is fitted with an EPDM rubber gasket. Corner connection points are in plastic, and are fitted with holding magnets. All internal and external valve elements are in a RAL 9003 - gloss 30 finish. Other colours are available on request.

### ORION-PTV WITH LUNA PLENUM BOX

#### Materials and surfaces

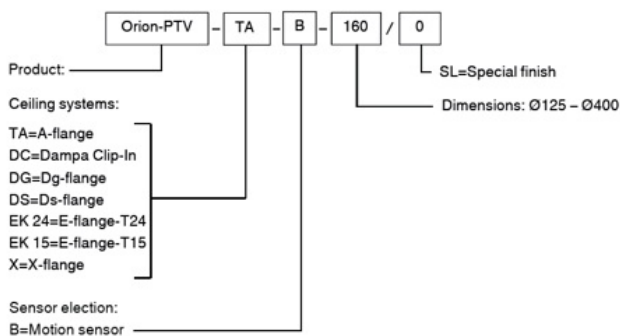
The front panel, ceiling plate and valve body are in a steel design, and the connection collar is fitted with an EPDM rubber gasket. Corner connection points are in plastic, and are fitted with holding magnets. All internal and external valve elements are in a RAL 9003 - gloss 30 finish. Other colours are available on request.

## INSTALLATION



The diffuser can be installed in modular ceiling systems as shown in fig. 5. If a Luna plenum box is used, the unit is attached to the rear of the support bracket by means of threaded rod or strap (fig. 6).

## TEKNISK INFORMATION

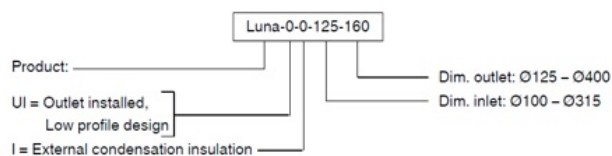


#### Example:

Orion-PTV-TA-B-160/0

#### Explanation:

Orion-PTV supply diffuser with A flange for T-profile ceiling systems, motion sensor in the diffuser front, connection diffuser Ø160



**Example:**

Luna-0-0-125-160

**Explanation:**

Luna box with inlet Ø125 and outlet Ø160.

 **QUICK SELECTION**

Orion-PTV Dim.	[m <sup>3</sup> /h]		
	25 dB(A)	30 dB(A)	35 dB(A)
125	140	162	191
160	184	212	248
200	234	270	310
250	299	346	403
315	410	479	558
400	648	756	878

Table 1: Air flow rate at given sound power levels