

## UPK

### UPK

- Bespoke dimensions, BxH variants
- Available with and without plenum box

### UPK with ATK plenum box

- Grille with mounting frame
- Removable damper for easy cleaning
- ATK box lined with Ecoson attenuation material

## APPLICATION



### UPK

UPK is an air-extract grille for wall mounting. It is available in bespoke dimensions and can thus be adapted to fit various groove

dimensions or pre-installed boxes.

### Design

The UPK features square perforation. It is available with pre-drilled holes and enamelled screws. Grilles exceeding 2 m<sup>2</sup> are split.e.

### UPK WITH ATK PLENUM BOX

The ATK plenum box is used for improved sound attenuation and commissioning options. This rectangular box is fitted with a removable damper which provides access to the connecting duct.

### Design

The ATK box features a damper for commissioning. ATK-B, S and LS are equipped with measuring point. The box is insulated with Ecoson.

## DESCRIPTION

### UPK

The grill is made in steel, and comes in a RAL 9003 - gloss 30 finish. It is fitted with polyurethane moulding. Other materials and colours are available on request.

### UPK WITH ATK PLENUM BOX

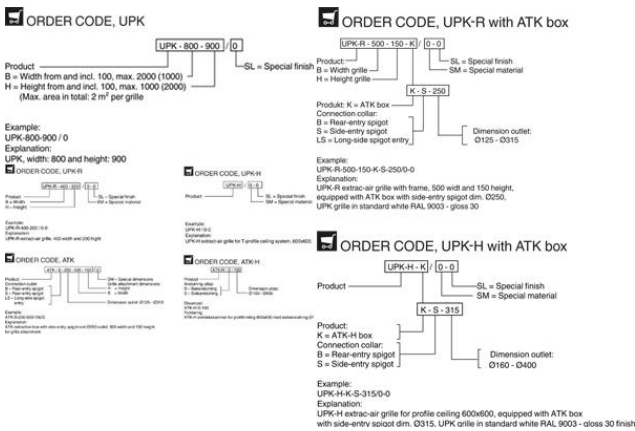
The grill is made in steel, and comes in a RAL 9003 - gloss 30 finish. It is fitted with polyurethane moulding. Other materials and colours are available on request.

## INSTALLATION

### UPK WITH ATK PLENUM BOX

ATK box and mounting frame are assembled as shown in fig. 8, and the air-extract grille is then positioned in the mounting frame. Installation principle for ATK-H is illustrated in fig. 9.

## TEKNISK INFORMATION



UPK-R		m³/h			ATK box		UPK-R		m³/h		
B x H	30dB(A)	35dB(A)	40dB(A)	Dim.	Spigot ent.	B x H	25 dB(A)	30 dB(A)	35 dB(A)		
200-100	200	245	300	125	B	200x100	68	119	180		
300-100	315	390	455	125	S	200x100	86	133	184		
400-100	395	470	575	125	LS	200x100	68	119	184		
500-100	460	575	685	180	B	300x100	-	126	256		
300-150	450	560	675	180	S	300x100	126	187	263		
400-150	520	655	800	180	LS	300x100	130	212	281		
500-150	700	885	1060	180	B	400x100	137	198	295		
400-200	790	970	1190	180	S	400x100	126	205	295		
500-200	965	1160	1420	180	LS	400x100	133	202	320		
600-200	1090	1315	1620	200	B	500x100	252	360	454		
500-300	1270	1600	1945	200	S	500x100	216	284	392		
600-300	1440	1800	2160	200	LS	500x100	-	270	396		
				200	B	300x150	220	324	432		
				200	S	300x150	216	317	421		
				200	LS	300x150	191	306	436		
				250	B	400x150	-	414	533		
				250	S	400x150	-	436	560		
				250	LS	400x150	360	493	587		
				250	B	500x150	-	468	684		
				250	S	500x150	-	436	648		
				250	LS	500x150	-	446	655		
				250	B	400x200	-	529	738		
				250	S	400x200	324	450	648		
				250	LS	400x200	335	446	601		
				315	B	500x200	468	828	1098		
				315	S	500x200	461	720	918		
				315	LS	500x200	454	713	918		
				315	B	600x200	720	1098	1368		
				315	S	600x200	720	972	1260		
				315	LS	600x200	720	900	1260		
				315	B	500x300	648	900	1098		
				315	S	500x300	-	774	1116		
				315	LS	500x300	468	774	1116		
				315	B	600x300	846	972	1152		
				315	S	600x300	648	900	1224		
				315	LS	600x300	612	774	936		

ATK-H box		UPK-H		m³/h		
Dim.	Spigot ent.	Dim.	25 dB(A)	30 dB(A)	35 dB(A)	
160	B	600 x 600	133	169	238	
160	S	600 x 600	126	234	353	
200	B	600 x 600	209	299	418	
200	S	600 x 600	201	324	436	
250	B	600 x 600	338	504	648	
250	S	600 x 600	346	594	756	
315	B	600 x 600	475	774	1415	
315	S	600 x 600	810	947	1098	
400*	B	600 x 600	1060	1302	1600	
400*	S	600 x 600	1019	1253	1540	