

UPK

UPK

- Bespoke dimensions, BxH variants
- Available with and without plenum box

UPK with ATK plenum box

- Grille with mounting frame
- Removable damper for easy cleaning
- ATK box lined with Ecoson attenuation material

APPLICATION



UPK

UPK is an air-extract grille for wall mounting. It is available in bespoke dimensions and can thus be adapted to fit various groove

dimensions or pre-installed boxes.

Design

The UPK features square perforation. It is available with pre-drilled holes and enamelled screws. Grilles exceeding 2 m² are split.e.

UPK WITH ATK PLENUM BOX

The ATK plenum box is used for improved sound attenuation and commissioning options. This rectangular box is fitted with a removable damper which provides access to the connecting duct.

Design

The ATK box features a damper for commissioning. ATK-B, S and LS are equipped with measuring point. The box is insulated with Ecoson.

DESCRIPTION

UPK

The grill is made in steel, and comes in a RAL 9003 - gloss 30 finish. It is fitted with polyurethane moulding. Other materials and colours are available on request.

UPK WITH ATK PLENUM BOX

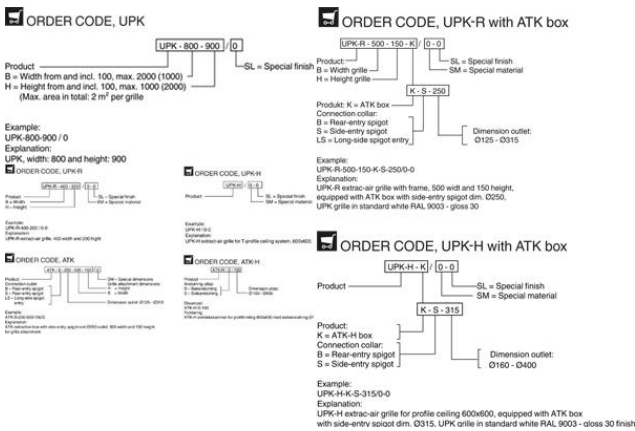
The grill is made in steel, and comes in a RAL 9003 - gloss 30 finish. It is fitted with polyurethane moulding. Other materials and colours are available on request.

INSTALLATION

UPK WITH ATK PLENUM BOX

ATK box and mounting frame are assembled as shown in fig. 8, and the air-extract grille is then positioned in the mounting frame. Installation principle for ATK-H is illustrated in fig. 9.

TEKNISK INFORMATION



UPK-R		m³/h			ATK box		UPK-R		m³/h		
B x H	30dB(A)	35dB(A)	40dB(A)	Dim.	Spigot ent.	B x H	25 dB(A)	30 dB(A)	35 dB(A)		
200-100	200	245	300	125	B	200x100	68	119	180		
300-100	315	390	455	125	S	200x100	86	133	184		
400-100	395	470	575	125	LS	200x100	68	119	184		
500-100	460	575	685	180	B	300x100	-	126	256		
300-150	450	560	675	180	S	300x100	126	187	263		
400-150	520	655	800	180	LS	300x100	130	212	281		
500-150	700	885	1060	180	B	400x100	137	198	295		
400-200	790	970	1190	180	S	400x100	126	205	295		
500-200	965	1160	1420	180	LS	400x100	133	202	320		
600-200	1090	1315	1620	200	B	500x100	252	360	454		
500-300	1270	1600	1945	200	S	500x100	216	284	392		
600-300	1440	1800	2160	200	LS	500x100	-	270	396		
				200	B	300x150	220	324	432		
				200	S	300x150	216	317	421		
				200	LS	300x150	191	306	436		
				250	B	400x150	-	414	533		
				250	S	400x150	-	436	560		
				250	LS	400x150	360	493	587		
				250	B	500x150	-	468	684		
				250	S	500x150	-	436	648		
				250	LS	500x150	-	446	655		
				250	B	400x200	-	529	738		
				250	S	400x200	324	450	648		
				250	LS	400x200	335	446	601		
				315	B	500x200	468	828	1098		
				315	S	500x200	461	720	918		
				315	LS	500x200	454	713	918		
				315	B	600x200	720	1098	1368		
				315	S	600x200	720	972	1260		
				315	LS	600x200	720	900	1260		
				315	B	500x300	648	900	1098		
				315	S	500x300	-	774	1116		
				315	LS	500x300	468	774	1116		
				315	B	600x300	846	972	1152		
				315	S	600x300	648	900	1224		
				315	LS	600x300	612	774	936		

ATK-H box		UPK-H		m³/h		
Dim.	Spigot ent.	Dim.	25 dB(A)	30 dB(A)	35 dB(A)	
160	B	600 x 600	133	169	238	
160	S	600 x 600	126	234	353	
200	B	600 x 600	209	299	418	
200	S	600 x 600	201	324	436	
250	B	600 x 600	338	504	648	
250	S	600 x 600	346	594	756	
315	B	600 x 600	475	774	1415	
315	S	600 x 600	810	947	1098	
400*	B	600 x 600	1060	1302	1600	
400*	S	600 x 600	1019	1253	1540	