

## ORION-LØV

- Design-protected LØV perforation
- Removable front panel
- Flush mounting
- Suitable for a range of ceiling systems
- Data provided with Luna plenum box installed
- Box lined with sound absorber in polyester

## APPLICATION



## ORION-LØV

Orion-LØV is a square supply diffuser for installation in modular ceiling systems. The unit offers excellent induction, and is suitable for both constant and variable air flow rates.

### DESIGN

Orion-LØV features a removable front panel with LØV perforation. Rotational pattern is supplied as standard. The unit is equipped with a TA flange suitable for T-profile ceiling systems, but is also available with

alternative flange designs, type: DC, DG, DS and EK (see fig. 2 and under order code).

The diffuser front can be supplied with an integrated motion sensor/ temperature sensor of type X-Sense. This can be delivered in two versions:

- a) X-Sense: Digital output for motion sensor and PT-1000 element for temperature measurement.
- b) X-Sense MOD: Transmission of values via Modbus.

## ORION-LØV WITH LUNA PLENUM BOX

The Luna plenum box is recommended for improved sound attenuation, and works as an adjustment and measurement unit. Luna is a rectangular box fitted with a removable damper which provides access to the connecting duct. The damper can be secured in any position required.

### Utförande

The Luna plenum box features a damper and measuring outlet for commissioning. It is insulated with a sound absorber in polyester and is available with one or two dimensional changes between inlet and outlet.

Furthermore, the box can be delivered with external condensation insulation. A low-profile design [UI] is also available, and for this type a reduction in capacity of approx. 20% will apply. The distance between

valve and box can be increased by up to 35 cm without extending the wire and measuring tube.

## DESCRIPTION



### ORION-LØV

#### Materials and surface coating

The front panel, ceiling plate and valve body are in a steel design, and the valve body is equipped with EPDM rubber gasket. Corner connection points are in plastic, and are fitted with holding magnets.

All internal and external valve elements are in a RAL 9003 - gloss 30 finish. Other colours are available on request.

### ORION-LØV WITH LUNA PLENUM BOX

#### Materials and surface coating

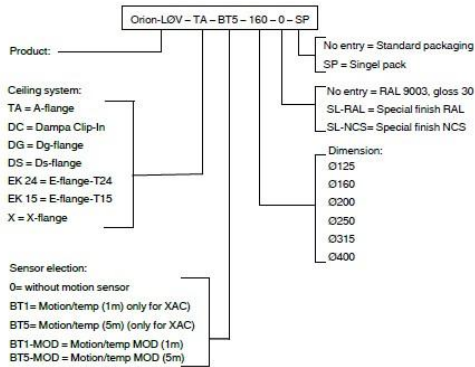
Luna is supplied with a galvanised finish and with all four internal walls lined with sound absorber in polyester. The spigot is fitted with an EPDM rubber gasket.

## INSTALLATION



Orion-LØV can be installed in a range of modular ceiling systems as well as in fixed ceilings. If a Luna plenum box is used, the unit is attached to the rear of the support bracket by means of threaded rod or strap (fig. 6).

## TECHNICAL INFORMATION



Example:  
 Orion-LØV-TA-BT5-160-0-0

Explanation:  
 Orion-LØV supply diffuser with A flange for T-profile ceiling systems, motion sensor in the diffuser front BT5 (5m), connection diffuser Ø160, RAL 9003, single packed.

### QUICK SELECTION

Orion-LØV Dim.	[m³/h]		
	25 dB(A)	30 dB(A)	35 dB(A)
125	106	125	147
160	181	211	246
200	237	278	326
250	347	403	468
315	472	551	644
400	620	757	925

Table 1: The table provides air flow rates at given sound power levels.

### QUICK SELECTION

Orion-LØV Dim.	Luna Dim.	[m³/h]		
		25 dB(A)	30 dB(A)	35 dB(A)
125	100-125	83	97	115
	125-125	76	90	108
160	100-160	86	130	162
	125-160	97	126	158
	160-160	130	155	184
200	125-200	104	151	198
	160-200	166	198	234
	200-200	166	202	241
250	160-250	162	216	270
	200-250	216	270	328
315	250-250	274	317	367
	200-315	212	295	396
400	250-315	335	407	500
	315-315	396	446	518
400	250-400	353	472	594
	315-400	468	544	648

Table 3: The table provides air flow rates at given sound power levels and 30 Pa total pressure loss..