

RIA

EXTERNAL INTAKE AND EXHAUST LOUVRE

- Aluminium design
- Blades with drainage, preventing water ingress
- Calculation diagrams provided

Application □

RIA is an intake and exhaust louvre for external installation.

Design

RIA-1 is made from extruded aluminium profiles, and is equipped with animal-proof netting. The RIA-2 design is identical to RIA-1, but without a flange. RIA-3 is made of aluminium, and has insulated blades and animal-proof netting.

Description □

Materials and surfaces

RIA-1 and RIA-2 are made from extruded profiles in seawater resistant aluminium (EN-AW-6060-T66 / EN-AW-6063-T6). Delivered untreated as standard. Can also be delivered in anodized brown, black or natural. The louvres can also be supplied in painted finish. Other materials available upon request. RIA-3 is made of seawater resistant aluminium (EN-AW-5052-H34), and is insulated with mineral wool with a glass fibre layer. Painted finish or alternative material available on request.

Installation □

For standard installation the minimum groove dimension required is:
W x H mm

For areas exposed to harsh weather conditions, max. recommended air face velocity is 2 m/s. Sealing between wall and top edge is recommended in order to prevent rainwater along the façade from penetrating the louvre.

TECHNICAL INFORMATION

1 Type**RIA** external louvre**2 Variant**

- 1** standard frame profile
- 2** for embedded installation
- 3** sound absorbing design
- 4** circular intake and exhaust louvre (only available in aluminium)

3 Nominal size [mm]

Width × height

Width

200 - 2000 ¹

Height

200 - 2000 ¹ (RIA-1 and RIA-2)**380 - 2000** ¹ (RIA-3)**4 Heating cable**

- 0** standard
- VK** heating cable

5 Material

No entry: aluminium profiles

- G** galvanized
- AZ** aluzinc
- CU** copper
- A2** stainless
- A4** acid resistant

6 Exposed surface

- No entry: without surface treatment
- 9003** powder-coated, RAL 9003 (signal white)
- P1** powder-coated, specify RAL colour
- PS** powder-coated, specify NCS colour

¹ 2000 × 2000 is the largest dimension without division

Order example: RIA-1/500×800/VK/G/P1-RAL9010

Type	RIA – external louvre
Variant	standard frame profile
Nominal size [mm]	width 500, height 800
Heating cable	heating cable
Material	galvanized
Exposed surface	powder-coated, RAL 9010 (pure white)

RIA – 1 / 500 × 800 / VK – G – P1 – RAL 9010

1	2	3	4	5	6

Application

- RIA is an intake and exhaust louvre for external installation

Materials and surfaces

- RIA-1 and RIA-2 are made from extruded profiles in seawater resistant aluminium (EN-AW-6060-T66 / EN-AW-6063-T6)
- RIA-3 is made of seawater resistant aluminium (ENAW- 5052-H34), and is insulated with mineral wool with a glass fibre layer
- RIA-4 are made in seawater resistant aluminium. (ENAW- 6060-T66 / EN-AW-6063-T6). The louvres may also be supplied in painted finish
- Delivered untreated as standard
- Painted finish or alternative material available on request

Design

- RIA-1 is made from extruded aluminium profiles, and is equipped with animal-proof netting
- The RIA-2 design is identical to RIA-1, but without a flange
- RIA-3 is made of aluminium, and has insulated blades and animal-proof netting
- RIA-4 is made from aluminium, and is equipped with animal proof netting

Installation

- For standard installation the minimum groove dimension required is: W x H
- For areas exposed to harsh weather conditions, max. recommended air face velocity is 2 m/s
- Sealing between wall and top edge is recommended in order to prevent rainwater along the façade from penetrating the louvre

Maintenance

- Leaves and dirt must be removed in order to avoid clogging
- For louvres equipped with heating cable, the system should be shut down during defrosting

Environment

- Enquiries regarding product declaration can be directed to our sales team, or information can be found at our website: www.trox.no

Application

RIA-4 is a circular intake and exhaust louvre for external installation

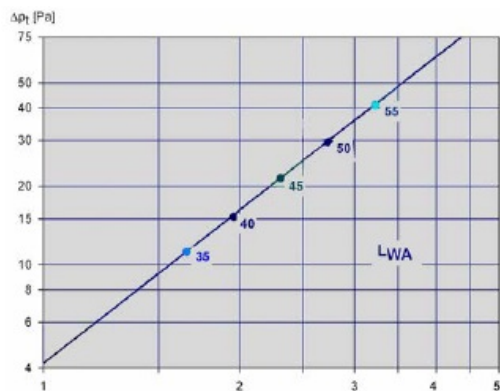
Design

RIA-4 is made from aluminium, and is equipped with animal proof netting

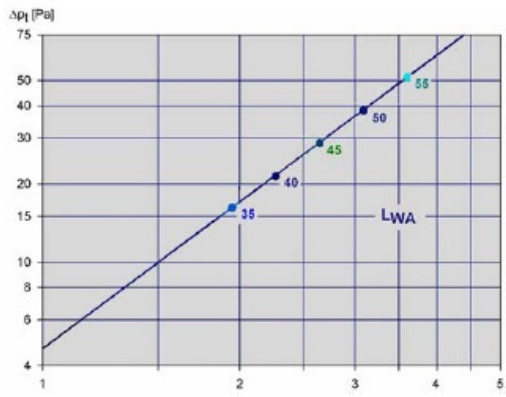
Materials and surface coating

RIA-4 are made in seawater resistant aluminium. (EN-AW-6060-T66 / EN-AW-6063-T6). The louvres may also be supplied in painted finish.

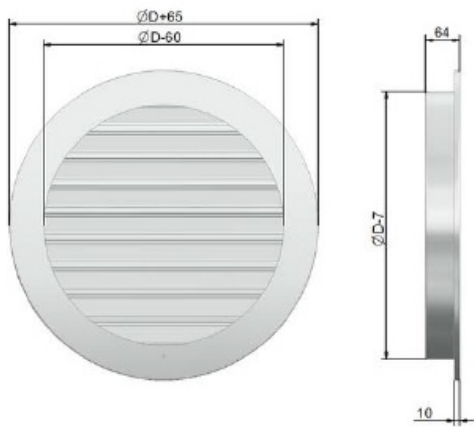
RIA intake



RIA exhaust



RIA -4 with decorative flange



RIA -4 without decorative flange

