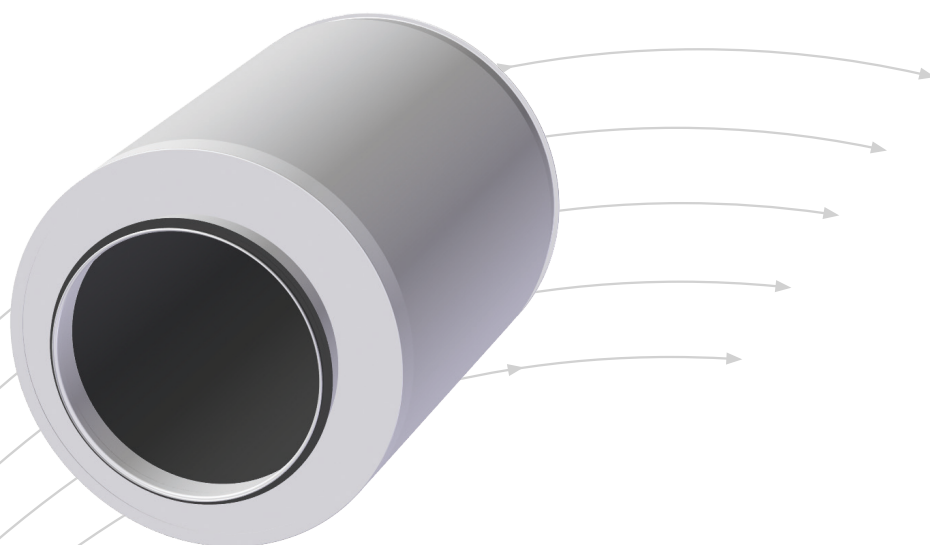


# LEV

## Circular sound attenuator



- Available in two lengths
- Dimensions up to and incl. 630

**TROX<sup>®</sup> TECHNİK**

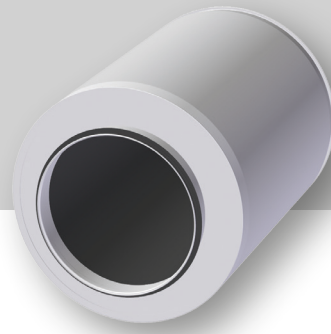
 **Auranor**

TROX Auranor Norge AS

PO Box 100  
NO-2712 Brandbu

Telephone +47 61 31 35 00  
Fax +47 61 31 35 10  
E-mail: [firmapost@auranor.no](mailto:firmapost@auranor.no)  
[www.trox.no](http://www.trox.no)

# LEV



## APPLICATION

LEV is a circular sound attenuator for use in ductwork.

## DESIGN

LEV is a circular steel unit lined with attenuation material inside. Available in both 500 mm and 1000 mm lengths. LEV complies air tightness class C.

## MATERIALS AND SURFACE COATING

LEV is made of galvanised steel with mineral wool and a glass fibre layer as attenuation material. Connection collars are fitted with EPDM rubber gaskets.

## DIMENSIONS AND WEIGHT, LEV

LEV Dim.	D	A	L	Weight [kg]	
				LEV 500	LEV 1000
100	99	220	500/1000	3,3	5,8
125	124	245	500/1000	3,8	6,6
160	159	280	500/1000	4,5	7,8
200	199	320	500/1000	5,3	9,0
250	249	370	500/1000	6,4	11,0
315	314	435	500/1000	7,2	12,4
400	399	520	500/1000	9,6	15,6
500	498	620	1000	-	22,5
630	629	750	1000	-	23,1

Table 1

Available dimensions:

- 100-100
- 125-125
- 160-160
- 200-200
- 250-250
- 315-315
- 400-400
- 500-500\*
- 630-630\*

Available dimensions:

- 100-100
- 125-125
- 160-160
- 200-200
- 250-250
- 315-315
- 400-400
- 500-500\*
- 630-630\*

Available dimensions:

- 100-125
- 125-160
- 160-200
- 200-250
- 250-315
- 315-400

Available dimensions:

- 100-100
- 125-125
- 160-160
- 200-200
- 250-250
- 315-315
- 400-400
- 500-500\*
- 630-630\*

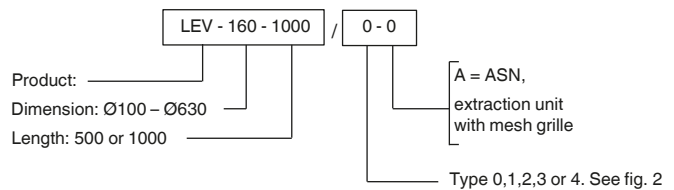
Available dimensions:

- 100-125
- 125-160
- 160-200
- 200-250
- 250-315
- 315-400

\* Available in 1000mm lengths only

Fig. 1

## ORDER CODE, LEV



Example:

LEV-160-1000/0-0

Explanation:

LEV, dimension Ø160, length 1000mm, type 0

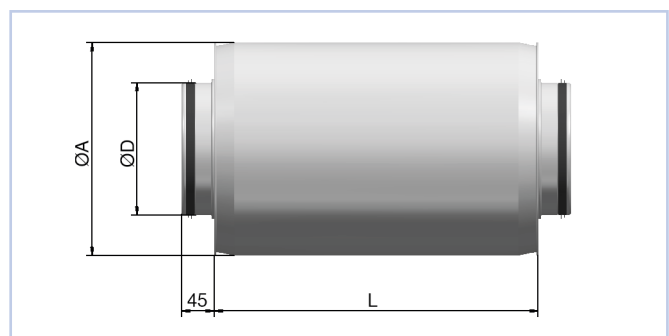


Fig. 2. Dimensional sketch LEV, Type 0

# LEV

## DIMENSIONING

LEV Dim.	Attenuation [dB]							
	63	125	250	500	1k	2k	4k	8k
100	5	13	17	27	42	43	33	16
125	2	7	10	22	36	33	22	8
160	1	5	9	19	30	26	14	6
200	1	4	7	15	23	17	9	4
250	1	3	6	13	19	12	6	3
315	2	2	5	11	13	7	4	4
400	1	1	4	10	9	4	2	3

Table 2, Static internal damping for LEV, 500 mm length.

LEV Dim.	Attenuation [dB]							
	63	125	250	500	1k	2k	4k	8k
100	6	16	27	43	50	50	40	26
125	1	11	19	38	50	50	36	14
160	1	8	15	33	50	49	24	10
200	1	8	13	28	46	35	15	8
250	1	5	11	24	41	26	10	5
315	1	3	9	21	28	14	7	5
400	3	2	8	18	18	8	5	4
500	3	2	6	11	10	7	5	5
630	1	2	4	11	9	5	4	4

Table 3, Static internal damping for LEV, 1000 mm length.

## INSTALLATION

Installation principle is illustrated in fig. 3.

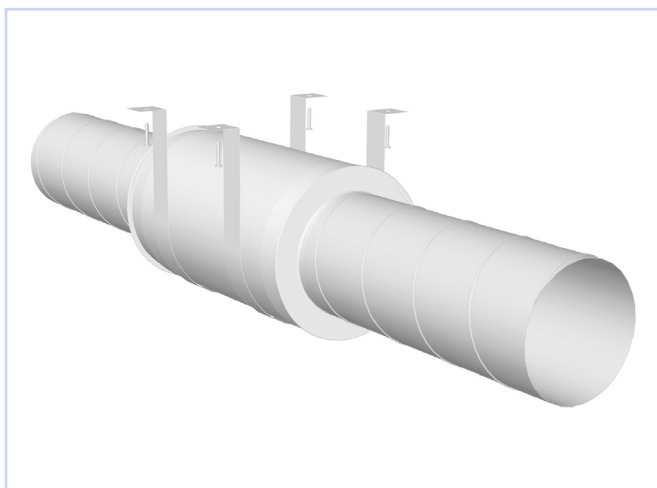


Fig. 3: Installation

## MAINTENANCE

The attenuation material used in LEV has a layer approved for mechanical cleaning with rotating nylon brushes.

## ENVIRONMENT

Enquiries regarding product declaration can be directed to our sales team, or information can be found at our website: [www.trox.no](http://www.trox.no)

LEV is developed and manufactured by:

The company reserves the right to make amendments without prior notice