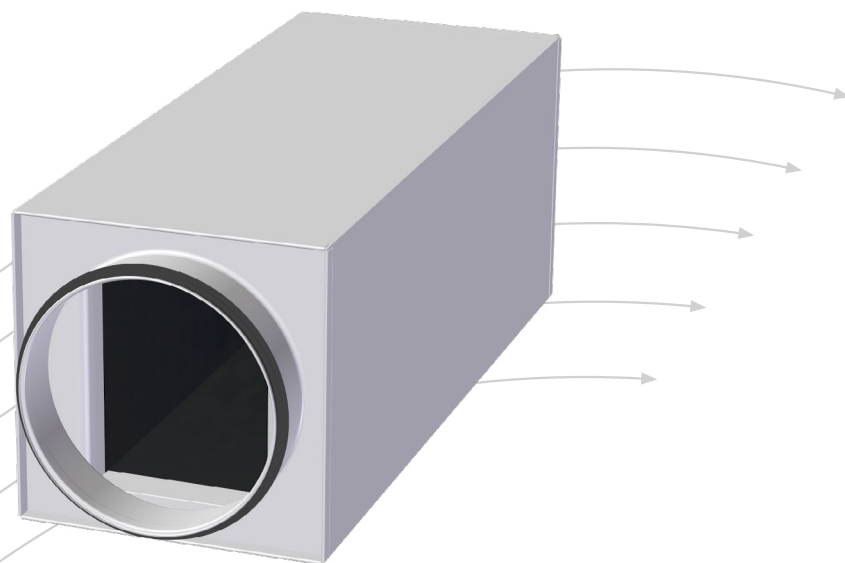


LKR

Space-saving sound attenuator for circular ducts



- Delivered in 5 lengths
- Good self-damping
- The lowest construction height in the Nordic region
- Included in the software program sound damping selection

TROX[®] TECHNIK

 **Auranor**

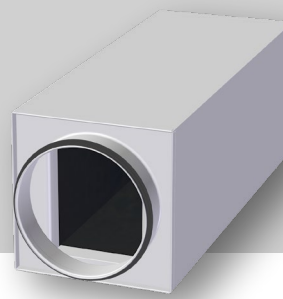
TROX Auranor AS

Auranorvegen 6
NO-2770 Jaren

Telephone +47 61 31 35 00

e-mail: office-no@troxgroup.com
www.trox.no/en

LKR



APPLICATION

LKR is a square sound attenuator with circular end spigots. LKR-V is a square sound attenuator with a circular end and side spigot in order to accommodate a right-angled bend.

DESIGN

LKR and LKR-V comprise a square steel unit where all 4 internal walls are lined with mineral wool with a glass fibre layer. From dimension Ø315 and up, all sound attenuators are equipped with a centre baffle. LKR and LKR-V complies air tightness class C.

MATERIALS AND SURFACE COATING

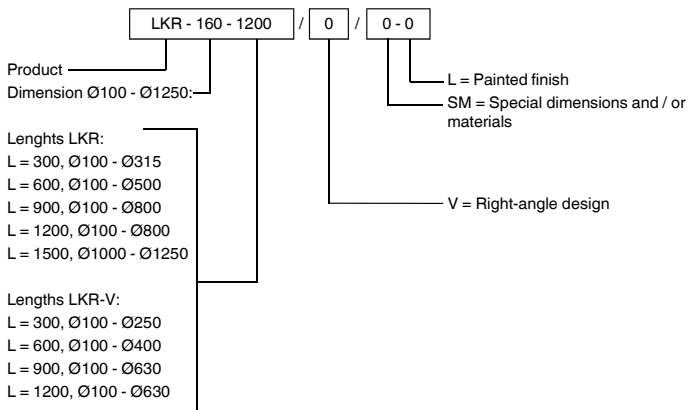
LKR and LKR-V are supplied in a galvanized steel finish. The fitting has an attached EPDM rubber gasket. Internally, the units are lined with mineral wool with a glass fibre layer.

QUICK SELECTION

In order to ensure the optimum choice of LKR, please use the "Attenuator Selection" computer program available for download from our website: www.trox.no

ORDER CODE, LKR

ORDER CODE, LKR



Example:
 LKR - 160 - 1200 / 0 / 0 - 0
 Explanation:
 LKR dimension Ø160, length 1200.

DIMENSIONS AND WEIGHT, LKR

LKR Dim.	Weight [kg]				
	L = 300	L = 600	L = 900	L = 1200	L = 1500
100	1,8	3	3,9	5,1	-
125	2,2	3,5	4,6	6,1	-
160	2,7	4,5	5,8	7,6	-
200	3,3	5,4	7,3	9,1	-
250	4,3	6,8	9,2	12	-
315	5,6	9,2	11,7	15	-
400	-	12,7	15,4	19,5	-
500	-	16,8	22	26,5	-
630	-	-	29,5	35	-
800	-	-	38	44	-
1000	-	-	-	-	100
1250	-	-	-	-	120

Table 1: LKR and LKR-V

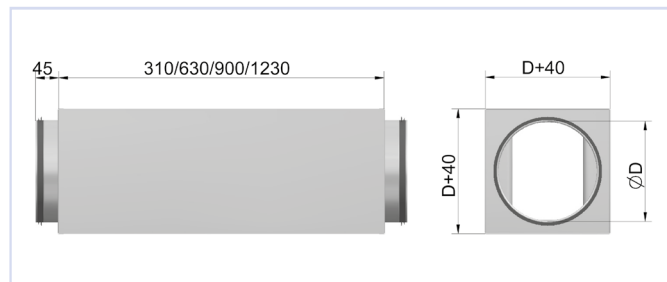
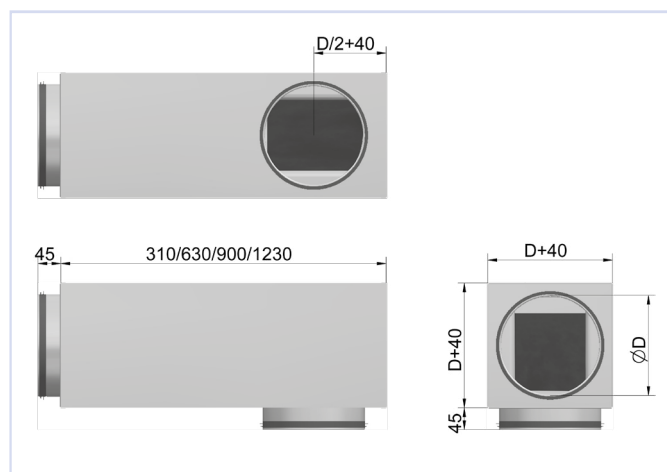


Fig.1, LKR



LKR

DIMENSIONING

Static sound attenuation, LKR

Dim.	63	125	250	500	1k	2k	4k	8k
100-300	1	3	5	9	13	20	23	10
100-600	2	7	10	17	23	34	43	20
100-900	2	6	13	23	34	49	50	27
100-1200	3	10	17	30	43	50	50	36
125-300	1	6	5	10	14	22	18	10
125-600	2	9	10	18	26	39	36	17
125-900	3	14	14	24	35	51	46	24
125-1200	4	13	17	32	41	50	50	29
160-300	2	6	5	8	16	21	14	9
160-600	3	9	10	16	28	45	26	15
160-900	3	12	15	23	36	50	34	21
160-1200	4	14	18	27	39	50	40	25
200-300	1	2	3	7	14	14	10	8
200-600	3	4	7	13	24	34	17	12
200-900	4	8	12	18	32	46	22	16
200-1200	4	9	14	21	37	50	27	19
250-300	2	3	6	9	15	13	10	8
250-600	2	7	11	17	27	27	17	12
250-900	3	8	13	23	39	36	22	14
250-1200	4	10	19	27	40	46	27	18
315-300	1	1	6	8	19	27	15	10
315-600	1	2	7	13	25	40	27	18
315-900	3	5	10	19	32	50	34	22
315-1200	4	8	16	25	41	50	45	32
400-600	2	5	7	12	24	30	18	11
400-900	3	6	10	17	32	38	24	14
400-1200	4	7	13	23	35	36	28	16
500-600	2	5	9	16	26	26	19	11
500-900	3	7	12	21	36	35	24	14
500-1200	5	8	16	30	44	46	29	18
630-600	1	6	8	15	25	18	13	9
630-900	4	6	10	19	33	24	16	11
630-1200	6	9	15	27	44	33	21	14
800-600	1	5	8	14	24	16	12	8
800-900	3	6	9	18	31	20	14	10
800-1200	5	8	14	25	42	29	19	12
1000-1500	7	10	17	30	46	35	25	18
1250-1500	8	11	19	33	47	38	28	21

Table 2, LKR

Static sound attenuation, LKR-V

Dim.	63	125	250	500	1k	2k	4k	8k
100-300	0	-2	6	8	20	26	23	19
100-600	1	5	9	14	31	42	45	29
100-900	2	5	10	19	38	51	51	32
100-1200	5	8	16	28	50	57	51	39
125-300	2	5	7	11	21	24	22	21
125-600	1	10	12	19	34	44	42	33
125-900	2	10	14	25	44	56	50	36
125-1200	3	16	18	34	52	57	52	42
160-300	1	4	3	12	20	19	18	16
160-600	3	12	7	20	35	46	36	29
160-900	1	12	10	26	43	56	46	35
160-1200	4	12	13	31	51	59	52	41
200-300	4	4	4	13	15	14	14	13
200-600	8	5	7	19	29	33	27	24
200-900	5	8	9	24	38	46	35	30
200-1200	8	9	12	29	48	60	41	38
250-300	3	1	6	15	13	12	11	11
250-600	7	4	10	23	31	28	24	22
250-900	15	5	13	29	43	39	32	28
250-1200	11	6	17	36	50	52	39	35
315-600	9	1	9	21	28	38	30	27
315-900	9	3	11	27	38	52	42	36
315-1200	14	4	14	32	46	53	48	43
400-600	4	3	12	18	27	31	26	23
400-900	6	6	14	24	36	44	35	31
400-1200	10	7	17	30	48	61	46	37
500-900	6	7	20	24	35	39	30	26
500-1200	8	8	25	32	40	51	42	35
630-900	3	7	19	22	27	29	24	22
630-1200	5	9	24	30	40	41	33	29

LKR

CALCULATION DIAGRAM

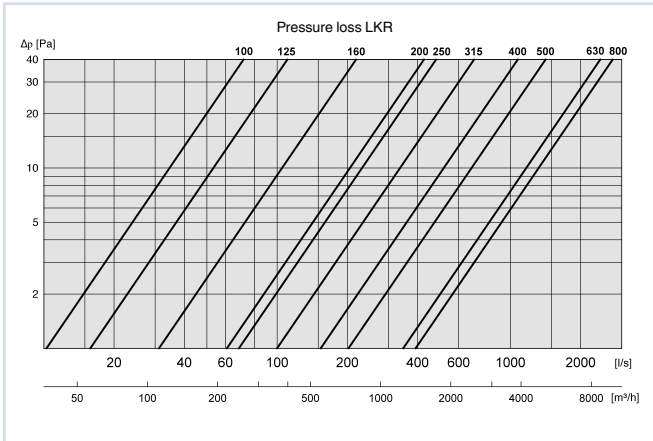


Diagram 1: Pressure loss, LKR

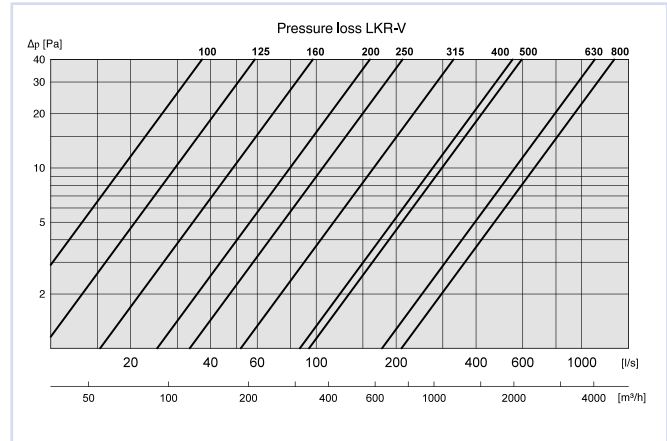


Diagram 2: Pressure loss, LKR-V

INSTALLATION

Installation principle shown in fig. 3.

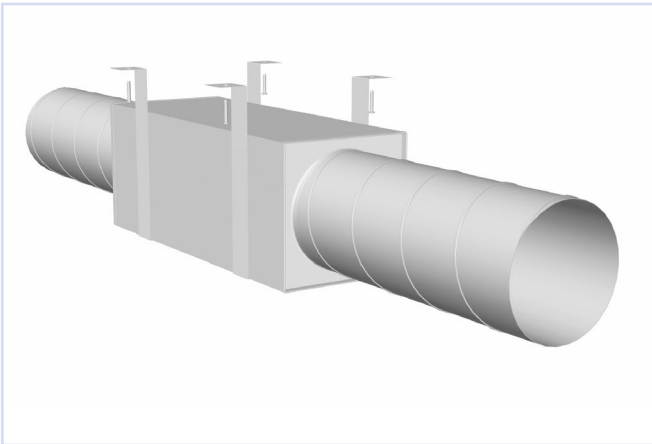


Fig. 3: Installation

MAINTENANCE

The attenuation material used in LKR has a layer approved for mechanical cleaning with rotating nylon brushes.

ENVIRONMENT

Enquiries regarding product declaration can be directed to our sales team, or information can be found at our website: www.trox.no

LKR is developed and manufactured by:

The company reserves the right to make amendments without prior notice.