

ORION-PTV WITH SIRIUS

- Unique damper function
- Extensive working range
- Belimo MP-Bus
- Modbus
- BACnet
- LONWORKS
- Belimo KNX

APPLICATION □

Design

The front panel, ceiling plate and valve body are in a steel design, and the connection collar is fitted with an EPDM rubber gasket. Corner connection points are in plastic, and are fitted with holding magnets. All internal and external valve elements are in a RAL 9010 finish. Other colors are available on request.

DESCRIPTION □

Materials and surfaces

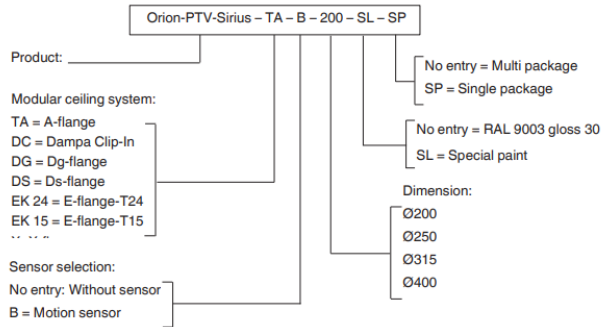
Sirius comes in a galvanised steel design. The measurement unit is in aluminum, and hoses and nipples are in plastic. The damper is equipped with polyester material, and the connection collar is fitted with EPDM rubber gasket.

INSTALLATION □

The Orion-PTV diffuser can be installed in a range of modular ceiling systems as well as in fixed ceilings. Sirius is attached to the rear of the support bracket by means of threaded rod or strap (fig. 4). In order to maintain the system's measurement accuracy, it is important to install units with spacing as shown in fig. 5.

TECHNICAL INFORMATION

ORDER CODE, diffuser - Orion-PTV Sirius



Example:
 Orion-PTV-Sirius-TA-B-200-SL-SP

Explanation:
 Orion-PTV-Sirius supply diffuser with A flange for T-profile ceiling system, motion sensor at diffuser front, spigot Ø200. Special paint, single package

Sirius dim.	[åpen] m ³ /h		
	25dB(A)	30dB(A)	35dB(A)
125	198	238	284
160	299	352	414
200	374	440	516
250	498	597	715

Sirius dim.	(75Pa) m ³ /h		
	25dB(A)	30dB(A)	35dB(A)
125	166	234	288
160	234	334	414
200	378	438	510
250	382	547	697

Sirius OD.	(m ³ /h)	
	Minimum	Maksimum
125	26	265
160	43	434
200	70	700
250	106	1060

Orion-PTV with Sirius has a built-in VAV controller for adjustment of air flow rates according to requirements. The damper solution will choke the pressure at high flow rates and will maintain a low sound level. This may reduce the need for additional dampers and sound attenuators in a duct system. Orion-PTV with Sirius forms part of the VIP-X control system for VAV, and is also available with Winsta plug-in wiring system. Motion detector can be integrated in the diffuser front. Orion-PTV with Sirius can also be delivered with Belimo MP-Bus, LON, Modbus or Belimo KNX for direct BUS communication to SD systems.

Deviation for working range:

- 10 - 20% of V_{nom} : $\pm 25\%$
- 20 - 40% of V_{nom} : $< \pm 10\%$
- 40 - 100% of V_{nom} : $< \pm 4\%$

If T-pipes are used, a spacing of at least $5 \times \text{ØD}$ is recommended in order to maintain the measurement accuracy. The diffuser front can be supplied with integrated motion sensor. Product sheet for Motion sensor can be found on our website: www.trox.no