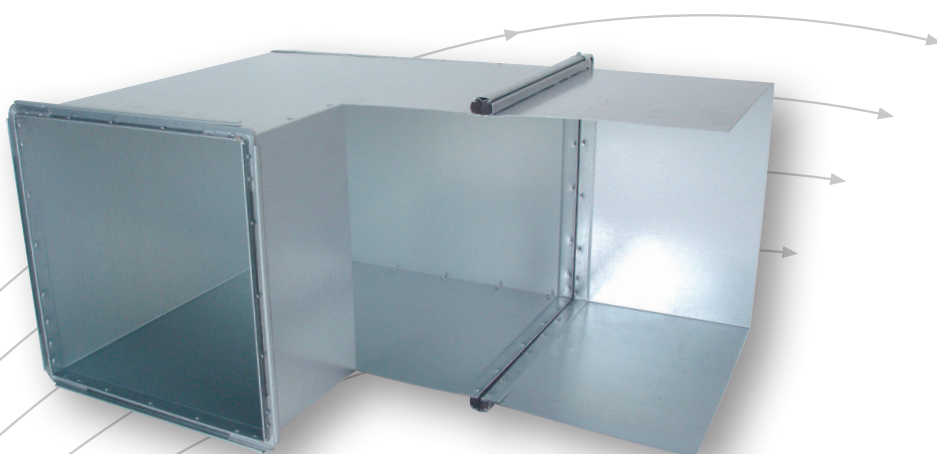


# KSA

## Complete connection system for rectangular ductwork



- Installation friendly
- Robust KIA inner-bend profile ensures rigid ductwork

# TROX<sup>®</sup> TECHNIK

 **Auranor**

TROX Auranor Norge AS

PO Box 100  
NO-2760 Brandbu

Telefon +47 61 31 35 00  
Telefaks+47 61 31 35 10  
e-mail: [firmapost@auranor.no](mailto:firmapost@auranor.no)  
[www.trox.no](http://www.trox.no)

# KSA



## APPLICATION

KSA is a duct connection system for rectangular ductwork.

## DESIGN

Sealant has been applied to the KSA duct connector base.

## MATERIALS AND SURFACE COATING

The duct connection system comes in a galvanised steel design.

## DIMENSIONS AND WEIGHT, KSA

As specified in fig. 1

- 1 Outer bend, type YH-1
- 2 C-clip track profile, type SSA [0,21 kg/m]
- 3 Duct connector, type KSA [0,42 kg/m]
- 4 Inner bend, type KIA
- 5 Gasket, type KPA

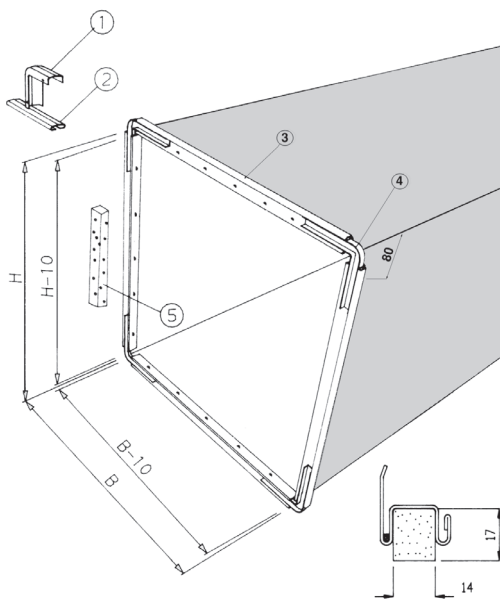


Figure 1

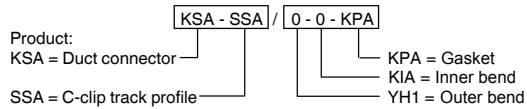
## MAINTENANCE

No specific maintenance requirements.

## ENVIRONMENT

Enquiries regarding product declaration can be directed to our sales team, or information can be found at our website: [www.trox.no](http://www.trox.no)

## ORDER CODE, KSA



Example:  
KSA-SSA / 0-0-KPA  
Explanation:  
KSA duct connector, SSA c-clip track profile and KPA gasket.

KSA connectors are delivered in 3m lengths, 50m per bundle. KPA gaskets are delivered in 1.5 m lengths, 100m per bundle. SSA profiles are delivered in 3m lengths, 100m per bundle. KIA bends are delivered in packs of 500. YH-1 bends are delivered in packs of 500.

## INSTALLATION

KSA and SSA profiles are delivered in 3m lengths, 50m and 100m per bundle respectively, and are cut to size using saw, cut-off wheel or similar. A manual (KPH) or pneumatic (KPL) hand-press can also be used to cut the KSA connector in lengths =  $B/H \div 10\text{mm}$ . Please see fig. 1. The KSA connector is pressed onto the duct end until it is fully attached, and can be secured as follows: fig. bolted, screwed or spot welded as shown in fig. 2 (A), or secured with compressing pliers as shown in fig. 2 (B).

When all four sides of the KSA connector have been attached, the KIA inner bend is fitted and can be fixed in place by using compressing pliers.

The KPA gasket is attached to the profile as shown in fig. 1, and the duct units can then be connected using the SSA track profile. When the sections have been joined, the YH-1 outer bend is fitted.

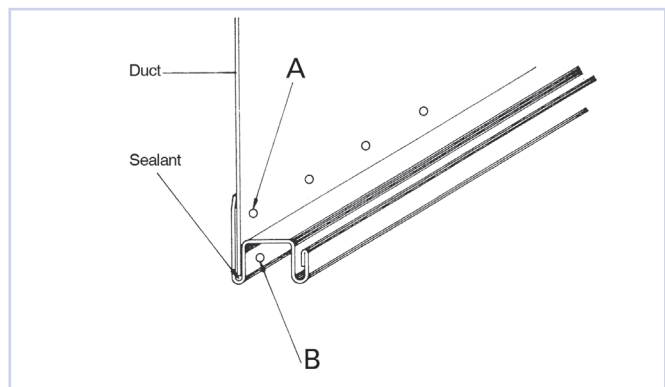


Figure 2 Assembly