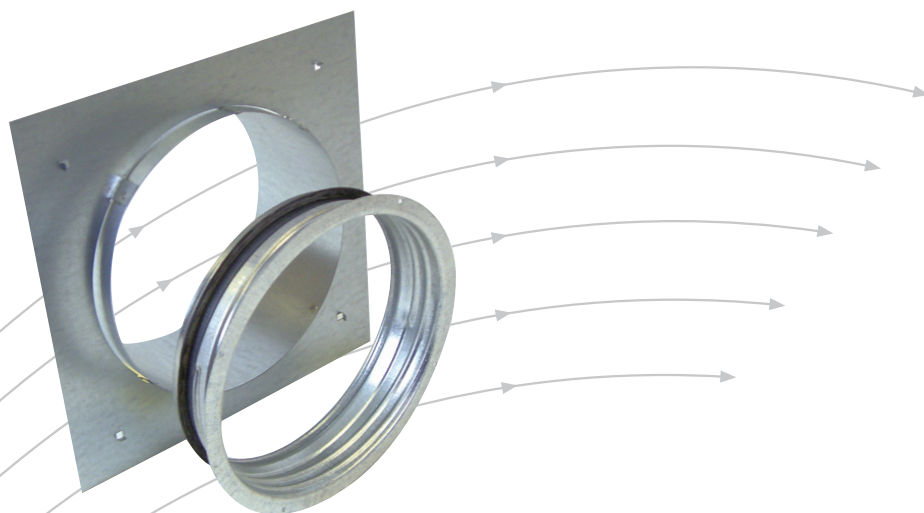


Inter

Ceiling-plate mounting kit for lightweight ceilings



- Universal kit for extract air terminal devices
- For easy valve installation in ceiling plate

TROX[®] TECHNIK

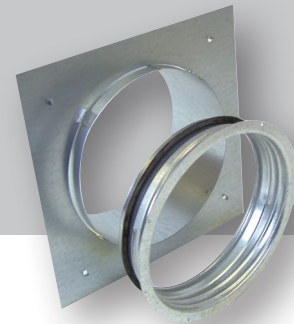
 **Auranor**

TROX Auranor Norge AS

PO Box 100
NO-2760 Brandbu

Telefon +47 61 31 35 00
Telefaks+47 61 31 35 10
e-mail: firmapost@auranor.no
www.trox.no

Inter



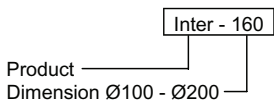
APPLICATION

Inter is used to simplify the installation of valves in lightweight ceilings (mineral wool).

MATERIALS AND SURFACE COATING

Inter is produced in galvanised steel.

ORDER CODE, Inter



Example:
Inter-160
Explanation:
Inter dimension Ø160.

DIMENSIONS AND WEIGHT, INTER

Dim.	D1	H1	H2	Weight [kg]
100	100	12	100	0,30
125	125	12	100	0,35
160	160	12	100	0,45
200	200	12	100	0,60

Table 1

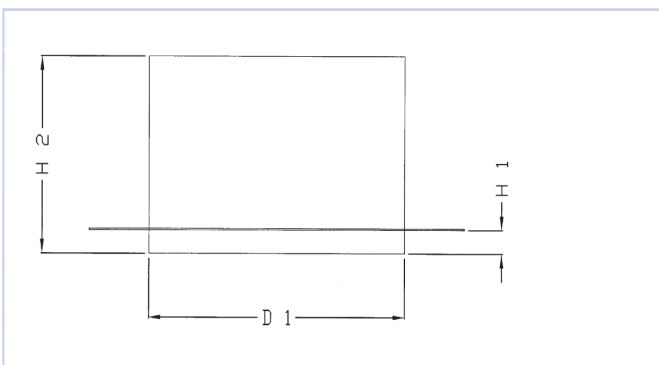


Fig. 1

INSTALLATION

Cut a groove in the ceiling plate (1) D1 + 5 mm, using the end-piece of the Inter as a template.

Install the Inter (2) in the ceiling plate (1) by using 3 self-drilling screws inside the Inter to attach the mounting frame for the valve (3). Then fit the valve in the mounting frame.

Finally, install the assembled ceiling plate in a modular ceiling system. Use of connection nipple (4) or bend between Inter and Spiro duct (5) is recommended.

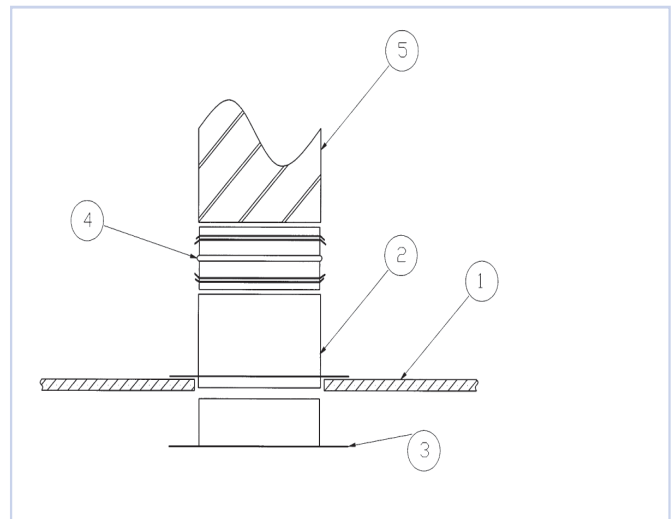


Fig. 2

MAINTENANCE

No specific maintenance requirements

ENVIRONMENT

Enquiries regarding product declaration can be directed to our sales team, or information can be found at our website: www.trox.no

Inter is developed and manufactured by: