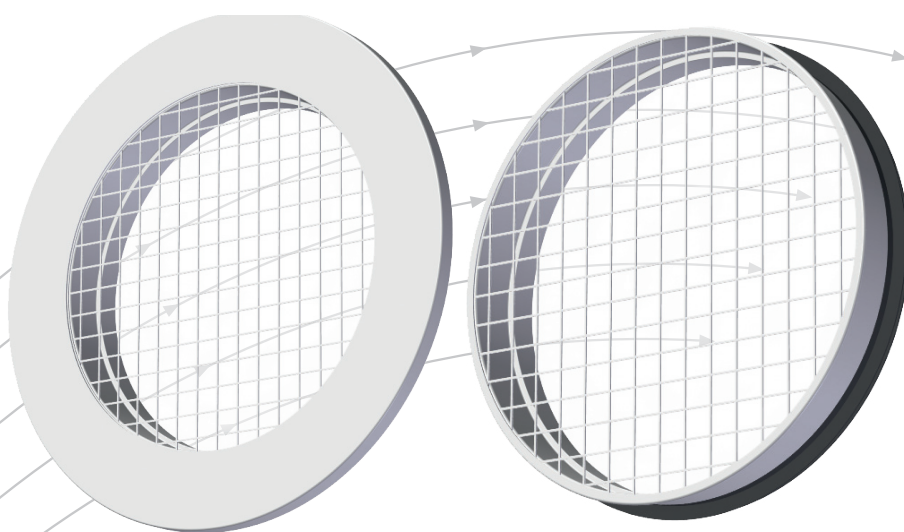


ESNU

Mesh grille



- Installation friendly
- Available with and without decorative

TROX[®] TECHNIK

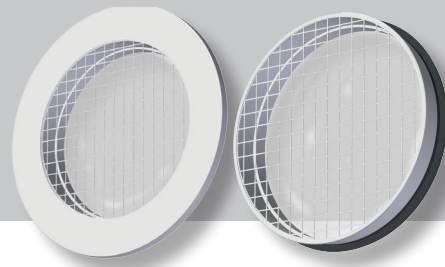
 **Auranor**

TROX Auranor Norge AS

PO Box 100
NO-2760 Brandbu

Telefon +47 61 31 35 00
Telefaks+47 61 31 35 10
e-mail: firmapost@auranor.no
www.trox.no

ESNU



APPLICATION

ESNU is a circular mesh grille, and can be used as both a supply and extract air unit.

DESIGN

ESNU is available in two different designs - with or without decorative flange.

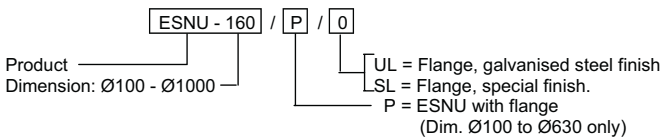
MATERIALS AND SURFACE COATING

ESNU is made of galvanised steel, and units with decorative flange come in a RAL 9010 finish as standard. Both designs are fitted with rubber gasket.

ESNU without flange is available in dim. Ø100 to Ø1000.

ESNU with flange is available in dim. Ø100 to Ø630.

ORDER CODE, ESNU



Example:
 ESNU-160 / P / 0
 Explanation:
 ESNU, dim. Ø160, with decorative flange, white RAL 9010 finish

DIMENSIONS AND WEIGHT, ESNU

ESNU Dim.	Decorative flange			A-weighting	Weight [kg]	
	D1	D2	D3		Without flange	With flange
100	99	105	180	40	0,05	0,20
125	124	132	205	40	0,08	0,23
160	159	167	243	40	0,20	0,38
200	199	207	282	40	0,25	0,47
250	250	258	315	60	0,30	0,56
315	314	325	420	60	0,45	0,77
400	399	410	530	75	0,70	1,10
500	498	510	630	75	0,90	1,40
630	628	640	760	75	1,40	2,00
800	798	810	-	75	1,60	-
1000	998	1010	-	75	2,00	-

Table 1

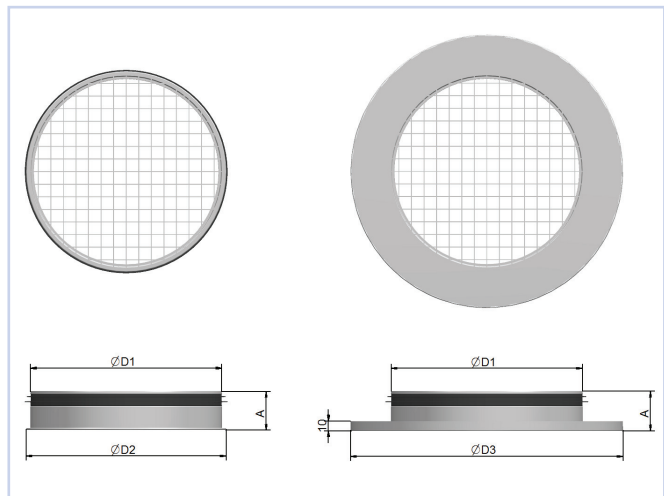


Fig. 1

INSTALLATION

Can be installed directly in Spiro duct.

VEDLIKEHOLD

Can be cleaned with a damp cloth or vacuum cleaner as required.

ENVIRONMENT

Enquiries regarding product declaration can be directed to our sales team, or information can be found at our website: www.trox.no

The company reserves the right to make amendments without prior notice.