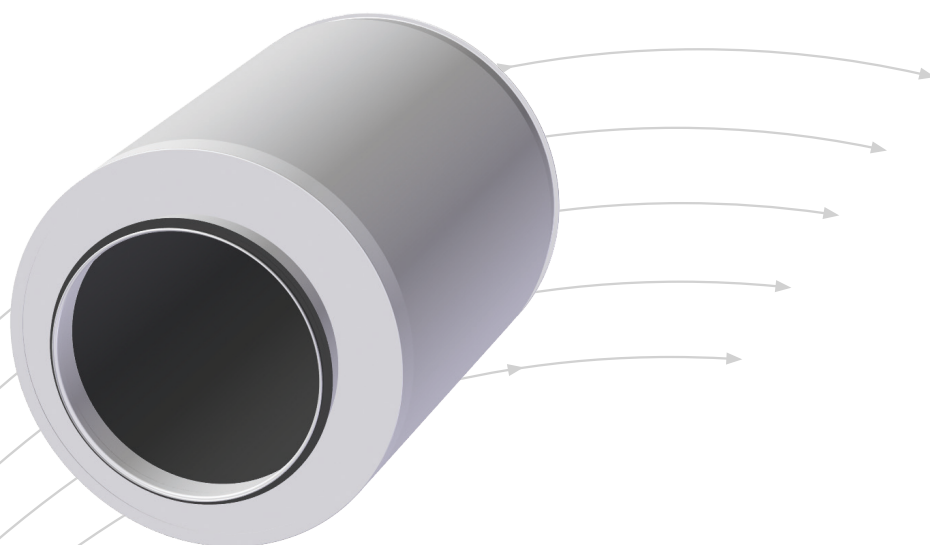


LEV

Circular sound attenuator



- Available in two lengths
- Dimensions up to and incl. 630

TROX[®] TECHNİK

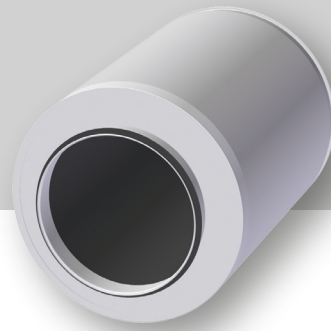
 **Auranor**

TROX Auranor Norge AS

PO Box 100
NO-2712 Brandbu

Telephone +47 61 31 35 00
Fax +47 61 31 35 10
E-mail: firmapost@auranor.no
www.trox.no

LEV



APPLICATION

LEV is a circular sound attenuator for use in ductwork.

DESIGN

LEV is a circular steel unit lined with attenuation material inside. Available in both 500 mm and 1000 mm lengths. LEV complies air tightness class C.

MATERIALS AND SURFACE COATING

LEV is made of galvanised steel with mineral wool and a glass fibre layer as attenuation material. Connection collars are fitted with EPDM rubber gaskets.

DIMENSIONS AND WEIGHT, LEV

LEV Dim.	D	A	L	Weight [kg]	
				LEV 500	LEV 1000
100	99	220	500/1000	3,3	5,8
125	124	245	500/1000	3,8	6,6
160	159	280	500/1000	4,5	7,8
200	199	320	500/1000	5,3	9,0
250	249	370	500/1000	6,4	11,0
315	314	435	500/1000	7,2	12,4
400	399	520	500/1000	9,6	15,6
500	498	620	1000	-	22,5
630	629	750	1000	-	23,1

Table 1

Available dimensions:

- 100-100
- 125-125
- 160-160
- 200-200
- 250-250
- 315-315
- 400-400
- 500-500*
- 630-630*

Available dimensions:

- 100-100
- 125-125
- 160-160
- 200-200
- 250-250
- 315-315
- 400-400
- 500-500*
- 630-630*

Available dimensions:

- 100-125
- 125-160
- 160-200
- 200-250
- 250-315
- 315-400

Available dimensions:

- 100-100
- 125-125
- 160-160
- 200-200
- 250-250
- 315-315
- 400-400
- 500-500*
- 630-630*

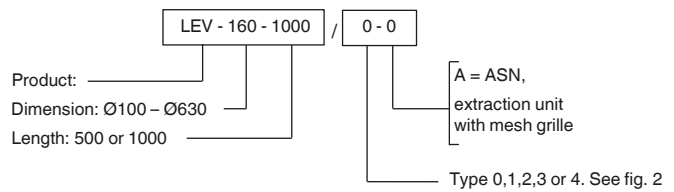
Available dimensions:

- 100-125
- 125-160
- 160-200
- 200-250
- 250-315
- 315-400

* Available in 1000mm lengths only

Fig. 1

ORDER CODE, LEV



Example:

LEV-160-1000/0-0

Explanation:

LEV, dimension Ø160, length 1000mm, type 0

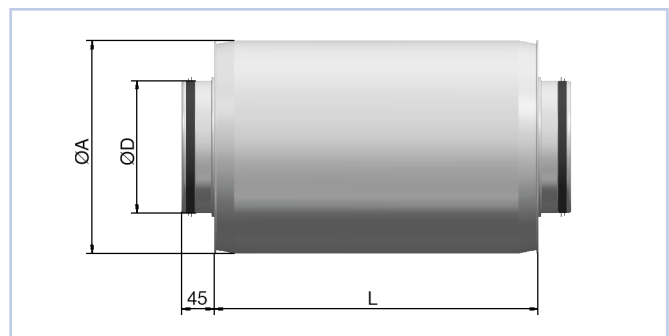


Fig. 2. Dimensional sketch LEV, Type 0

LEV

DIMENSIONING

LEV Dim.	Attenuation [dB]							
	63	125	250	500	1k	2k	4k	8k
100	5	13	17	27	42	43	33	16
125	2	7	10	22	36	33	22	8
160	1	5	9	19	30	26	14	6
200	1	4	7	15	23	17	9	4
250	1	3	6	13	19	12	6	3
315	2	2	5	11	13	7	4	4
400	1	1	4	10	9	4	2	3

Table 2, Static internal damping for LEV, 500 mm length.

LEV Dim.	Attenuation [dB]							
	63	125	250	500	1k	2k	4k	8k
100	6	16	27	43	50	50	40	26
125	1	11	19	38	50	50	36	14
160	1	8	15	33	50	49	24	10
200	1	8	13	28	46	35	15	8
250	1	5	11	24	41	26	10	5
315	1	3	9	21	28	14	7	5
400	3	2	8	18	18	8	5	4
500	3	2	6	11	10	7	5	5
630	1	2	4	11	9	5	4	4

Table 3, Static internal damping for LEV, 1000 mm length.

INSTALLATION

Installation principle is illustrated in fig. 3.

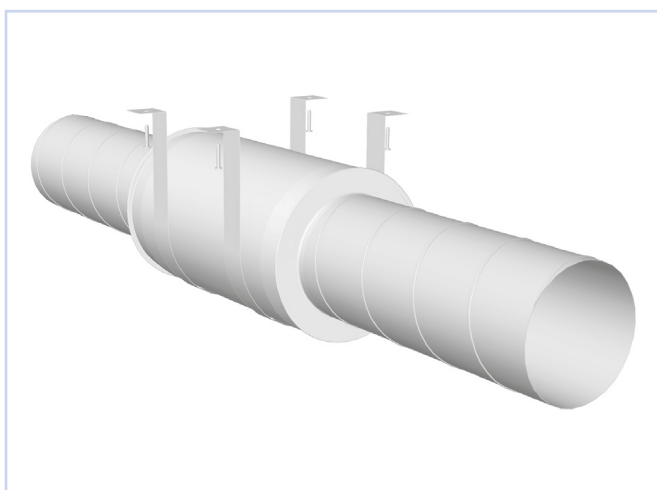


Fig. 3: Installation

MAINTENANCE

The attenuation material used in LEV has a layer approved for mechanical cleaning with rotating nylon brushes.

ENVIRONMENT

Enquiries regarding product declaration can be directed to our sales team, or information can be found at our website: www.trox.no

LEV is developed and manufactured by:

The company reserves the right to make amendments without prior notice