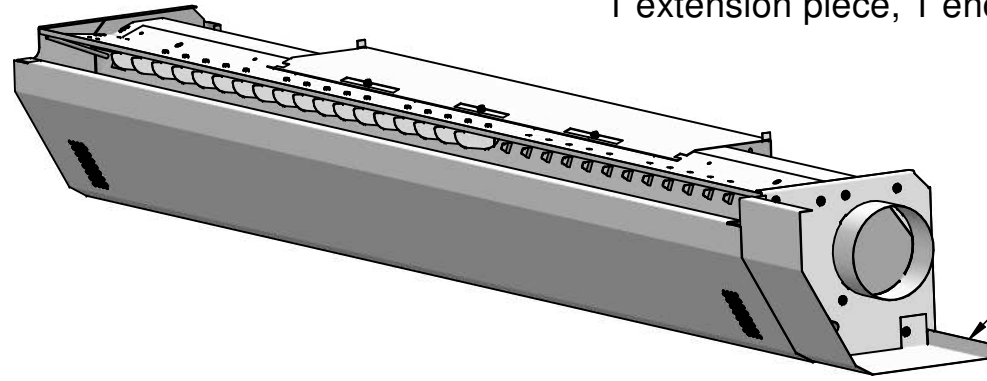
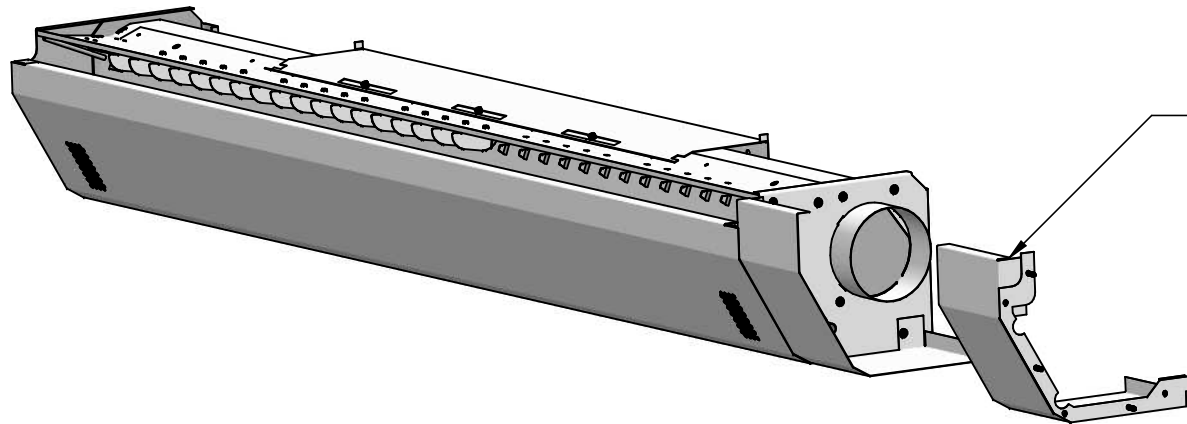


Complete cover for Svalbard-H is delivered as 3 parts.
1 extension piece, 1 end piece and 1 cover-front.



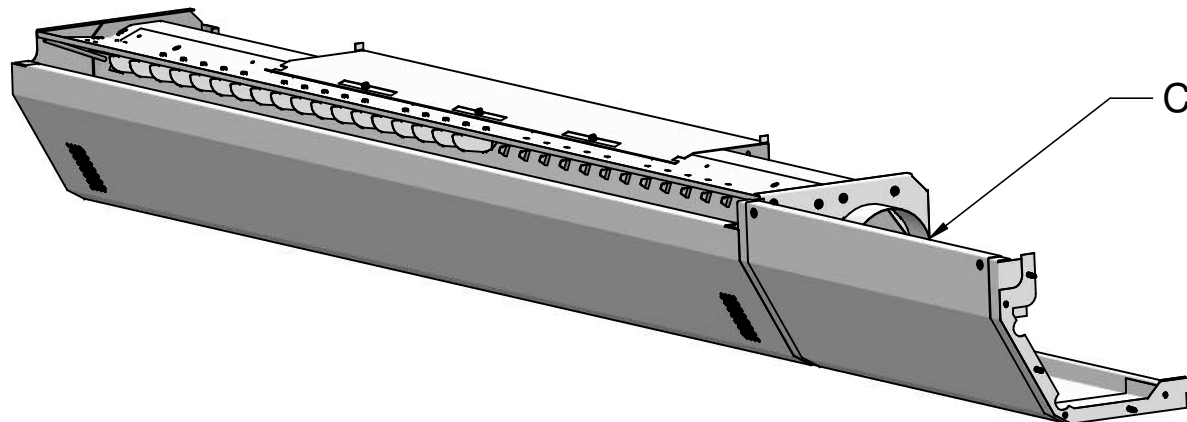
Extension piece

Attach the extension piece to the gable end of Svalbard-H using screws. Use pre-punched holes.



End piece

Attach the end piece to the wall in line with the Svalbard-H using screws.



Cover-front

Place the cover-front on the outside of the extension piece and the end piece. Attach the cover-front using screws. Use pre-punched holes in the cover front.